

Chair Operation

INSTALLING THE OPTIONAL WALL STORAGE BRACKET

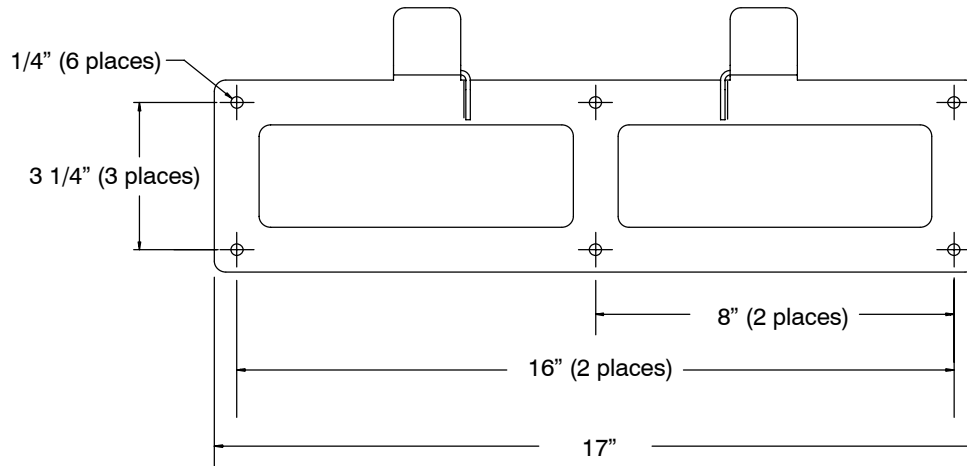


Figure 37 - Storage bracket dimensions

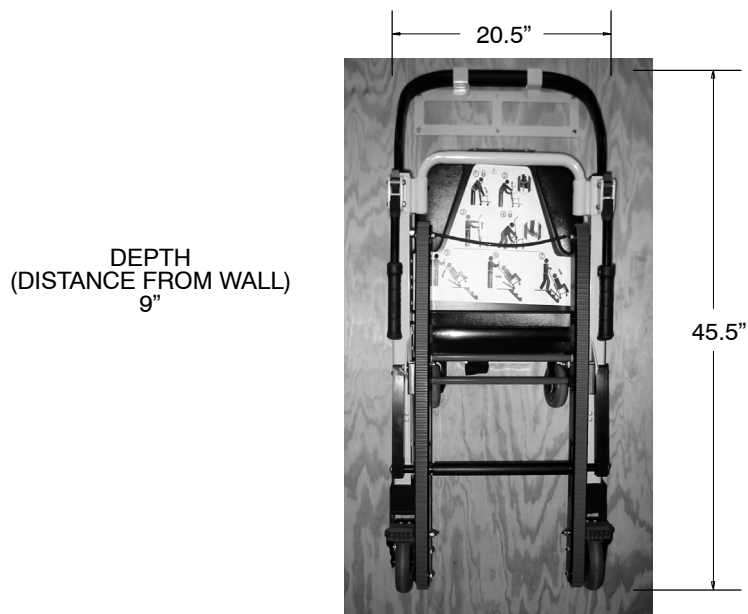


Figure 38 - Chair stored on the bracket

1. Use the bracket as a template to mark the location of the mounting holes at the area where the wall bracket will be installed. Consider the dimensions of the chair when selecting and marking the location.
2. Using fasteners (not supplied) appropriate for the wall type, install the bracket, using *at least* four of the mounting holes.
3. Hang the chair from the bracket using the upper control handle.